

160P/IS/500 Exhaust ventilation pipe



Usage: Insulated exhaust ventilation pipe with a cowl. Inner pipe is made of galvanized steel and has a lip seal. A VILPE[®] pass-through according to the roofing material is required separately.

Dimensions: Duct size Ø 160 mm, external Ø 225 mm, height above roof approx. 500 mm.

Contents: Exhaust ventilation pipe, cowl, screws.

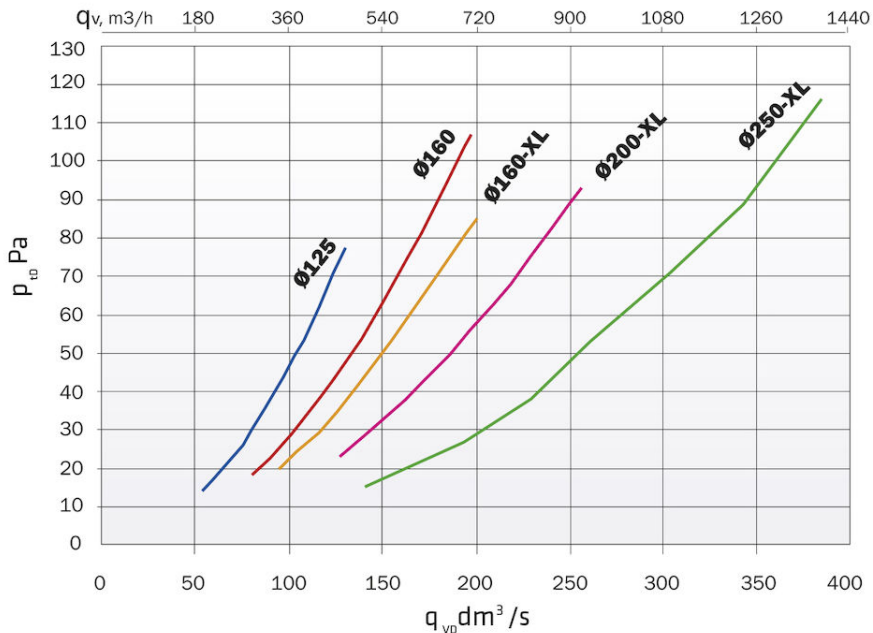
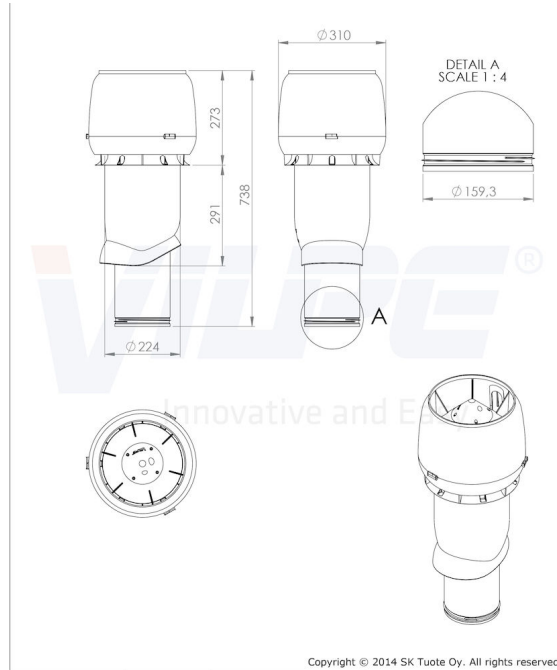
The P-series roof fans and exhaust ventilation pipes can be led watertightly with a pass-through set through a roof. VILPE[®] pass-through sets can be installed on any roofs with the most common pitches (less than 50 degrees). The pass-through set is always selected according to the roofing material of the roof. All the roof fans and exhaust ventilation pipes in the P-series are compatible with all pass-through set types. Using P-series XL roof fans and XL exhaust ventilation pipes requires an XL pass-through.



Color	Brick Red
EAN Code	6410457416998
Product code	741699
Color Code RR	RR750
Color Code RAL	RAL8004
Delivery	Stock
Gross weight	4.1000
Net Weight	3.3088

Duct size	160
Materials	expanded polystyrene, galvanized sheet steel , polypropene plastic (PP)
Package includes	cowl, fixing screws

160P/IS/500 Exhaust ventilation pipe



VILPE.COM

SK Tuote Oy
Kauppatie 9, FI-65610 Mustasaari
Telephone +358 20 123 3200

Sales & Technical Support | FI +358 20 123 3233 | EN +358 20 123 3222 | RU +358 20 123 3290 | SE +46 70 511 2020 | PL +48 71 740 2623
myynti@sktuote.fi | sales@sktuote.fi

Page: 2
08.06.2017